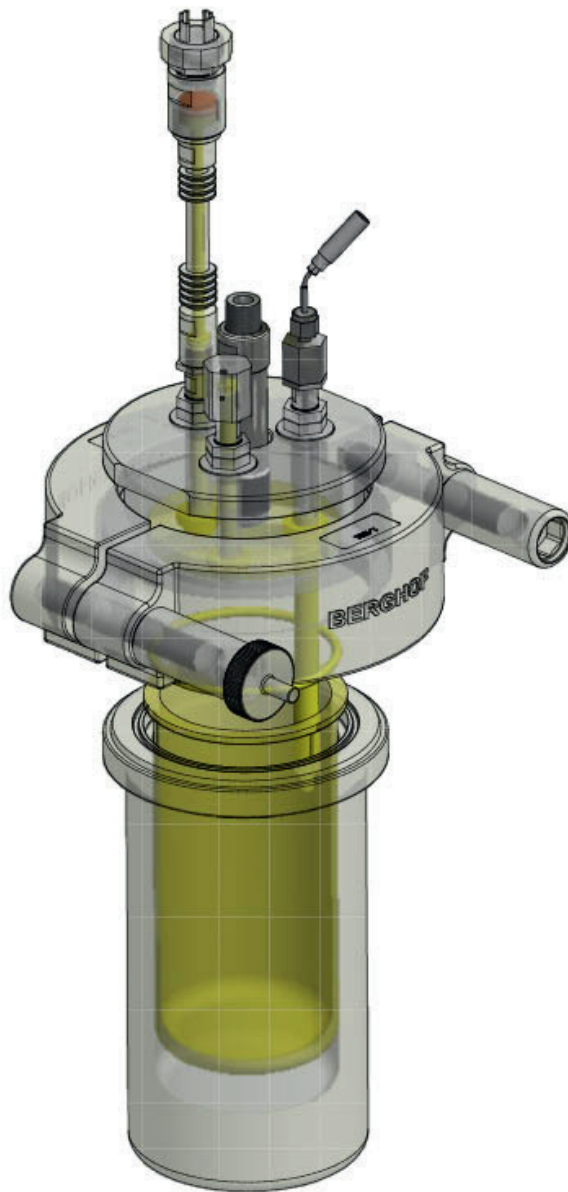


BERGHOF PRODUCTS + INSTRUMENTS GMBH

# DB-Metal-free Reactors

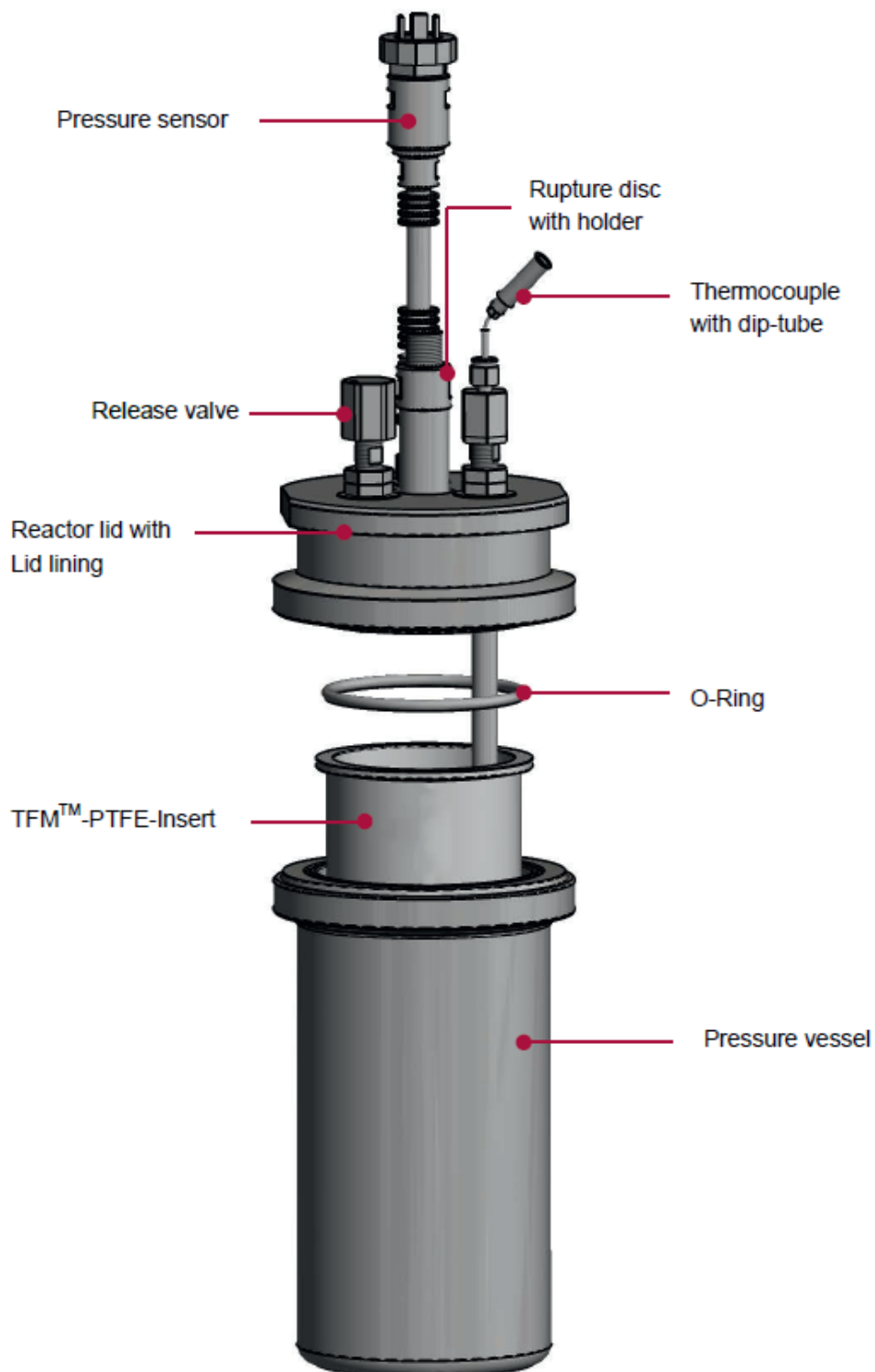
## Technical Specifications



BERGHOF

# DB-Metal-free Reactors

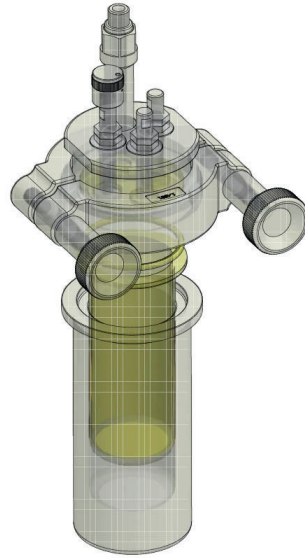
## Technical Basics



# DB-300 | DB-500 | DB-700



## Technical Specifications

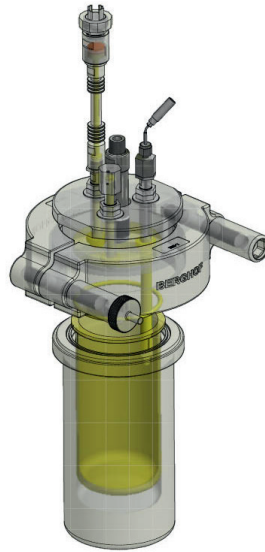


TECHNICAL SPECIFICATIONS DB-300   DB-500   DB-700				
	DB-300	DB-500	DB-700	
<b>Material</b>	Stainless Steel 316Ti (1.4571)			
<b>Temperature max.</b>	230° C	230° C	230° C	
<b>Pressure max.</b>	200 bar	200 bar	200 bar	
<b>TFM™-PTFE Insert (integrated)</b>	<b>Volume</b>	approx. 310 ml	approx. 500 ml	approx. 800 ml
	<b>Inner Diameter</b>	62.5 mm	62.5 mm	62.5 mm
	<b>Inner Height</b>	98 mm	165 mm	261 mm
	<b>Weight</b>	approx. 4 kg	approx. 6 kg	approx. 8.5 kg
<b>Armatures</b>	<b>Standard Armatures</b>	Rupture Disc, Dip Tube, Valve/Tool, Pressure Sensor		
	<b>Pressure Measurement</b>	digital		
<b>Heating Systems (optional)</b>	<b>Electrical (Hot Plate)</b>	✓	-	-
	<b>Electrical (Heating Jacket)</b>	✓	✓	✓
	<b>Via Fluid (Double Jacket)</b>	✓	✓	✓
<b>Stirring</b>	<b>Via Hot Plate</b>	✓	-	-

# DB-1000 | DB-1500 | DB-2000



## Technical Specifications



TECHNICAL SPECIFICATIONS DB-1000   DB-1500   DB-2000				
		DB-1000	DB-1500	DB-2000
	<b>Material</b>	Stainless Steel 316Ti (1.4571)		
	<b>Temperature max.</b>	230° C	230° C	230° C
	<b>Pressure max.</b>	200 bar	200 bar	200 bar
<b>TFM™-PTFE Insert (integrated)</b>	<b>Volume</b>	approx. 1.000 ml	approx. 1.460 ml	approx. 1.880 ml
	<b>Inner Diameter</b>	84 mm	84 mm	84 mm
	<b>Inner Height</b>	182.5 mm	264 mm	340 mm
	<b>Weight</b>	approx. 10.5 kg	approx. 13 kg	approx. 16 kg
<b>Armatures</b>	<b>Standard Armatures</b>	Rupture Disc, Dip Tube, Valve/Tool, Pressure Sensor		
	<b>Pressure Measurement</b>	digital		
<b>Heating Systems (optional)</b>	<b>Electrical (Hot Plate)</b>	-	-	-
	<b>Electrical (Heating Jacket)</b>	✓	✓	✓
	<b>Via Fluid (Double Jacket)</b>	✓	✓	✓
<b>Stirring</b>	<b>Via Hot Plate</b>	-	-	-