

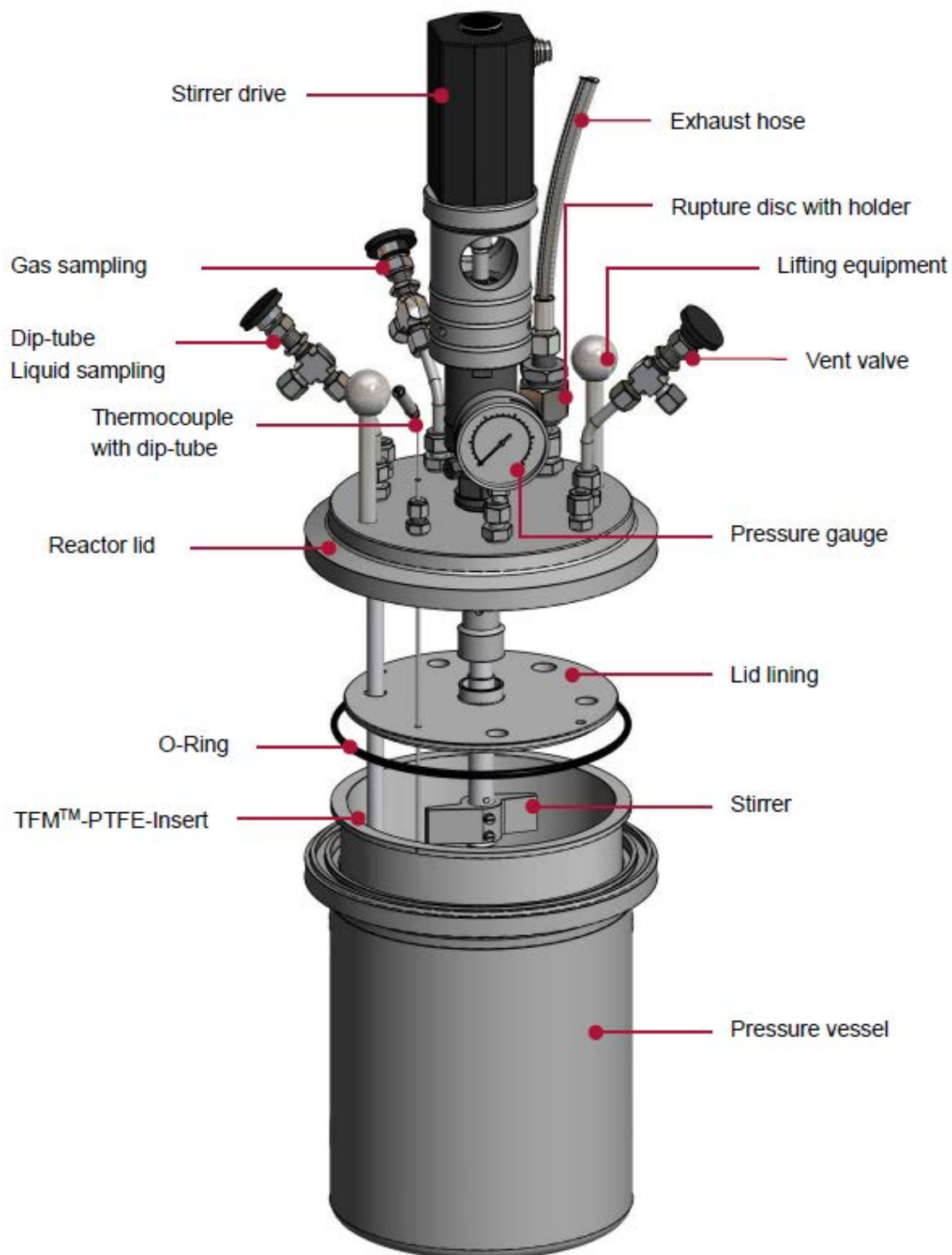
BERGHOF PRODUCTS + INSTRUMENTS GMBH

NR-Low Pressure Reactors

Technical Specifications

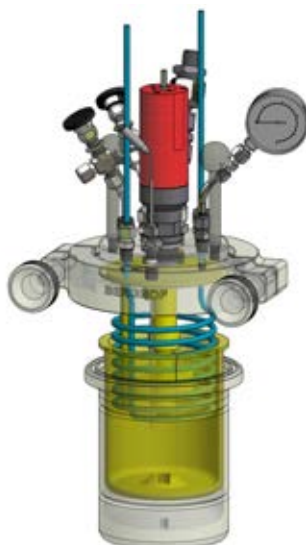
NR-Low Pressure Reactors

Technical Basics



NR-1500 | NR-3000

Technical Specifications



TECHNICAL SPECIFICATIONS NR-1500 NR-3000					
		NR-1500		NR-3000	
	Material	Stainless Steel 316Ti (1.4571) or Hastelloy C-22 (2.4602)			
	Temperature max.	300° C	300° C	300° C	300° C
	Pressure max.	25 bar	25 bar	25 bar	25 bar
Reactor Vessel	Volume	approx. 1,900 ml	approx. 1,900 ml	approx. 3,650 ml	approx. 3,650 ml
	Inner Diameter	123 mm	123 mm	123 mm	123 mm
	Inner Height	160 mm	160 mm	308 mm	308 mm
	Weight	approx 5.7 kg	approx 5.7 kg	approx. 8.1 kg	approx. 8.1 kg
	Bottom Drain Valve	✓	-	✓	-
TFM™-PTFE Insert (optional)**	Volume	-	approx. 1,400 ml	-	approx. 2,900 ml
	Inner Diameter	-	114 mm	-	114 mm
	Inner Height	-	142 mm	-	290
Armatures	Standard Armatures	Rupture Disc, Dip Tube, Valve, Tool			
	Pressure Measurement	analog and/or digital			
	Ports (total)	7	7	7	7
	Ports (free)	3*	3*	3*	3*
	Type of connection	8 mm Tube Connection	8 mm Tube Connection	8 mm Tube Connection	8 mm Tube Connection
Heating Systems (optional)	Electrical (Heating Jacket)	✓	✓	✓	✓
	Via Fluid (Double Jacket)	✓	✓	✓	✓
	Via Fluid (Heating Coil)	✓	✓	✓	✓
Stirring (Magnetic Drive)	RV-100	✓	✓	✓	✓
	RV-400	-	-	-	-

* The number of free ports can be enlarged by the use of T-connections

** When using PTFE inserts the maximum allowable temperature is 230° C

NR-6000 | NR-10000

Technical Specifications



TECHNICAL SPECIFICATIONS NR-6000 NR-10000					
		NR-6000		NR-10000	
	Material	Stainless Steel 316Ti (1.4571) or Hastelloy C-22 (2.4602)			
	Temperature max.	300° C	300° C	300° C	300° C
	Pressure max.	25 bar	25 bar	25 bar	25 bar
Reactor Vessel	Volumen	approx. 7.130 ml	approx. 7,130 ml	approx. 11,760 ml	approx. 11,760 ml
	Innendurchmesser	195 mm	195 mm	195 mm	195 mm
	Innenhöhe	239 mm	239 mm	394 mm	394 mm
	Gewicht	approx. 16,4 kg	approx. 16.4 kg	approx. 20 kg	approx. 20 kg
	Bodenablassventil	✓	-	✓	-
TFM™-PTFE Insert (optional)**	Volume	-	approx. 5,900 ml	-	-
	Inner Diameter	-	185 mm	-	-
	Inner Height	-	220 mm	-	-
Armatures	Standard Armatures	Rupture Disc, Dip Tube, Valve, Tool			
	Pressure Measurement	analog and/or digital			
	Ports (total)	8	8	8	8
	Ports (free)	4*	4*	4*	4*
	Anschlussart	8 mm Tube Connection	8 mm Tube Connection	8 mm Tube Connection	8 mm Tube Connection
Heating Systems (optional)	Electrical (Heating Jacket)	✓	✓	✓	✓
	Via Fluid (Double Jacket)	✓	✓	✓	✓
	Via Fluid (Heating Coil)	✓	✓	✓	✓
Stirring (Magnetic Drive)	RV-100	✓	✓	✓	✓
	RV-400	✓	✓	✓	✓

* The number of free ports can be enlarged by the use of T-connections

** When using PTFE inserts the maximum allowable temperature is 230° C