

SPECORD® S 600

Precise. Fast. Simultaneous.



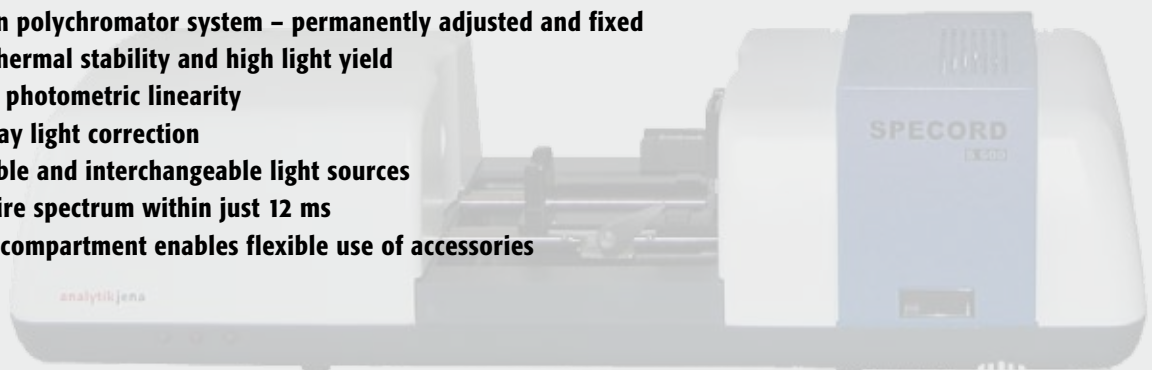
Wavelengths Ahead

SPECORD® S 600 – the simultaneous high-speed diode-array spectrophotometer

The SPECORD® S 600 UV/Vis spectrophotometer combines convenient handling, required precision, speed and superior optical performance. Already proven in process analysis, the optical polychromator system guarantees highest precision and reliability in laboratory analysis. The Multi Channel System, encased in a rugged quartz-ceramic body, enables fast, exact analyses from a spectral range of UV to NIR (190–1100 nm) and absolute reproducibility of the results.

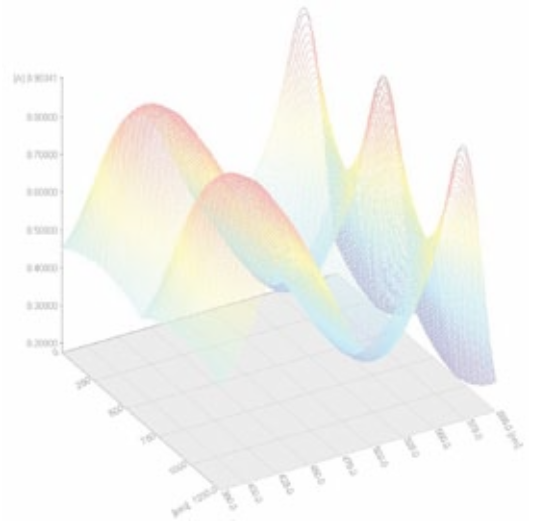
Most important: the analytic advantages

- High-precision polychromator system – permanently adjusted and fixed
- Robustness, thermal stability and high light yield
- Self adjusting photometric linearity
- Automatic stray light correction
- Easily accessible and interchangeable light sources
- Shows an entire spectrum within just 12 ms
- Open sample compartment enables flexible use of accessories



WinASPECT® software for convenience and efficiency

- Intuitive software navigation
- Extendable, modular software concept for kinetics, life science and color measurement
- Multilingual
- Windows 7, 32 bit and 64 bit compatible
- Self Check System (SCS)
- GLP compliant, FDA CFR Part 11 compliant
- Validation software for testing important device parameters



Perfect equipment with accessories

Especially in UV/Vis spectroscopy, it is essential to have a wide range of accessories besides a solid basic instrument. Cell holders, cell changers, flow cell systems, reflectance accessories or fiber coupling – the SPECORD® range of accessories allows a broad area of applications, the automation of analysis processes and performing special applications. For more information on the wide range of SPECORD® accessories, please see our accessory brochure or visit our website: www.analytik-jena.com.



Fields of application

The SPECORD® S 600, the ideal solution for all routine and special analyses with a high sample throughput, is suitable for use in chemistry, pharmacy, life science, medicine, food and environmental analysis.

